

Hippo Hot Water Pressure Cleaner

Exploded View Drawing & Parts List (Old & New Burner Version)

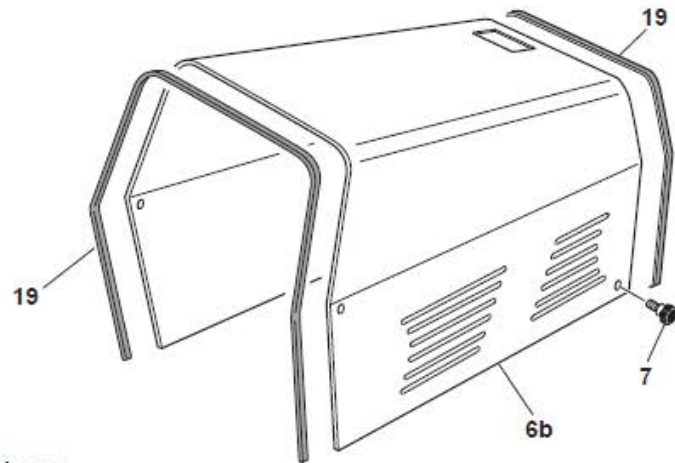
XXXXXX	MAER	XXXXXXXXXXXX	
CE	IDROPULTRICI	XXXXXXXXXXXX	
CODE	XXXXXX	TYPE	XXXXXX
INSULATION	IPX5	YEAR	XXXXXX
MAX. PRESSURE BAR	100	AT LITERS/1'	11
VOLTAGE	XXXXXX	FREQUENCY	50 HZ
AMPERE AT 415V	//	AMP 240V	13,5
MAX. TEMPERATURE °C	0-100	AT BAR	0-150
FUEL	DIESEL	WEIGHT	90



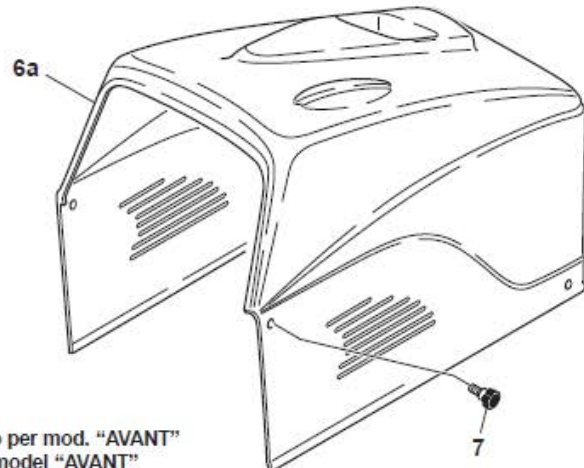
The identification plate (with the technical characteristics of the machine) is positioned on the trolley and is always visible.

Note: The new version of the Hippo comes with a high efficiency coil. The drawings and part numbers for both old and new versions have been supplied in this break down.

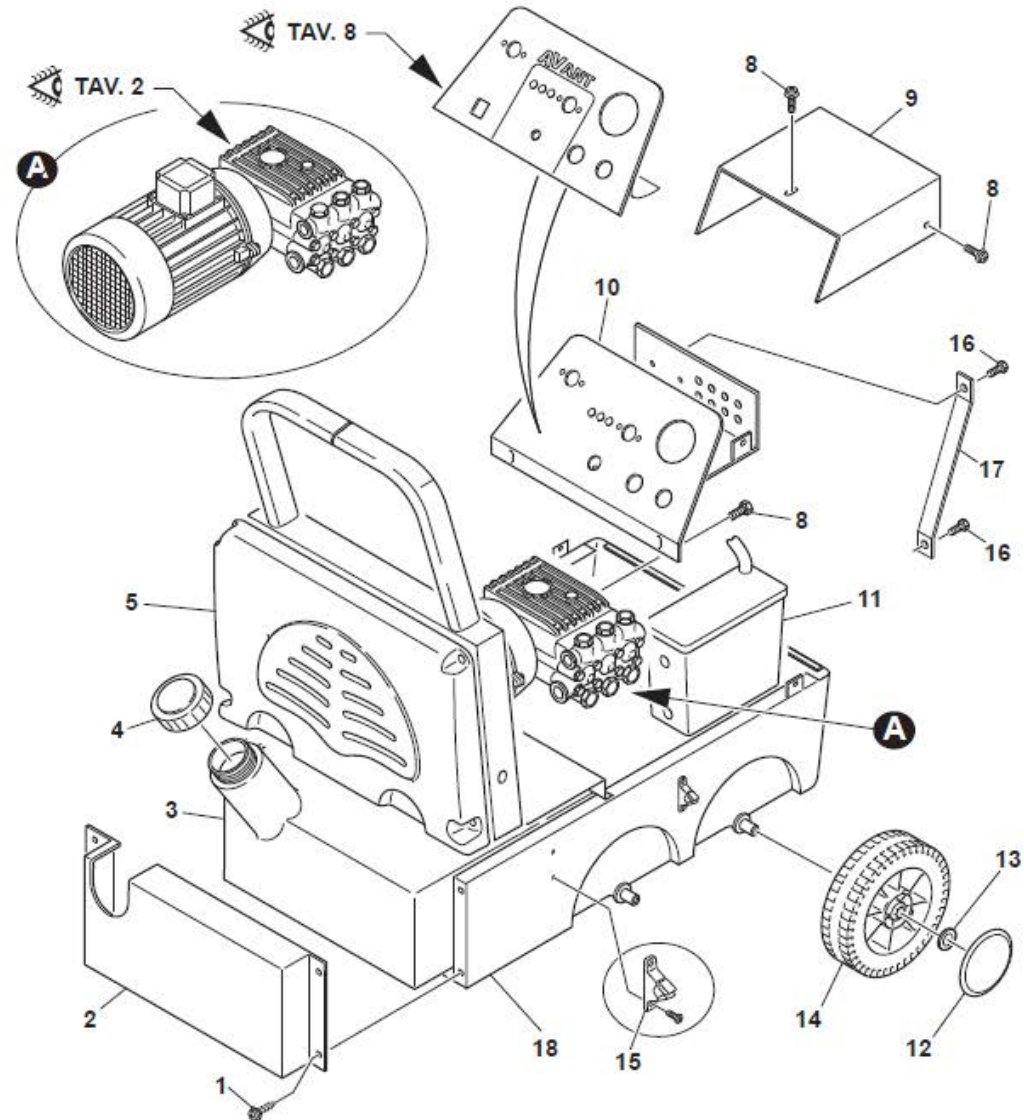
To distinguish between the old and new models, simply measure the coils. The new Hippo has a larger internal diameter coil of 200mm versus previous models that had an internal coil diameter of 180mm.



Cofano INOX
Stainless steel cover
Capot INOX
Haube Ausedelstahl
INOX Capò

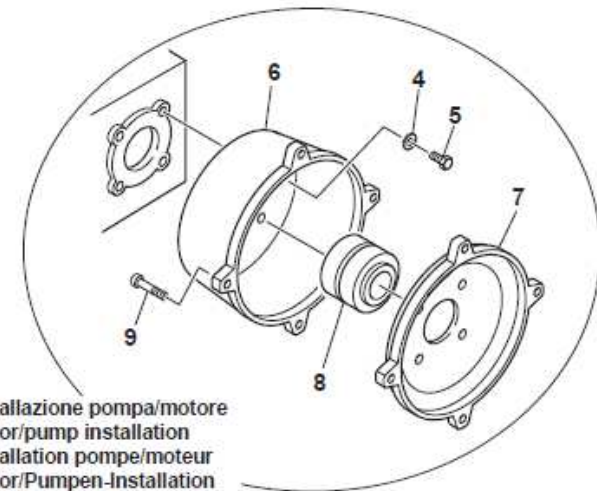
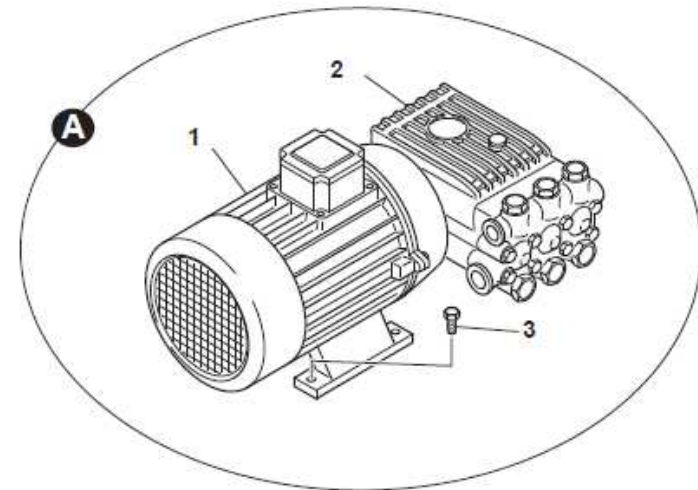
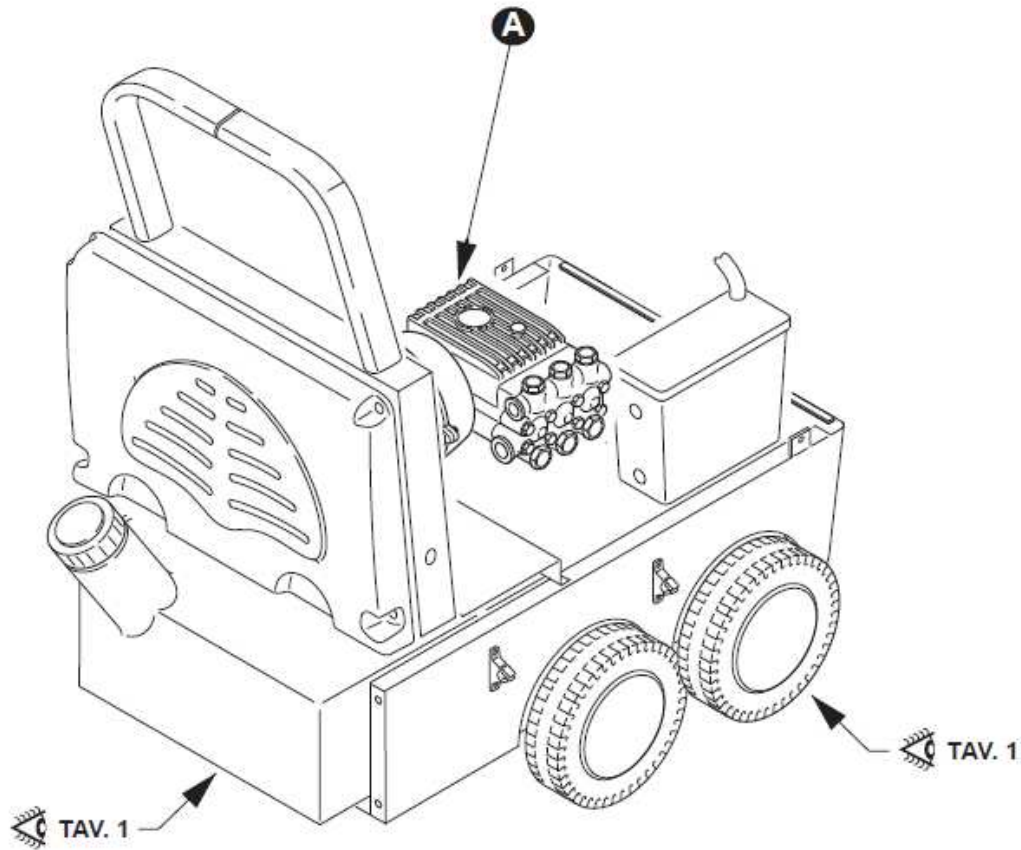


Cofano in plastica solo per mod. "AVANT"
Plastic cover only for model "AVANT"
Capot en plastique seulement pour mod. "AVANT"
Haube Ausplastik nur für model "AVANT"
Capò de plástico solo para mod. "AVANT"



TAV. 1 CHASSIS

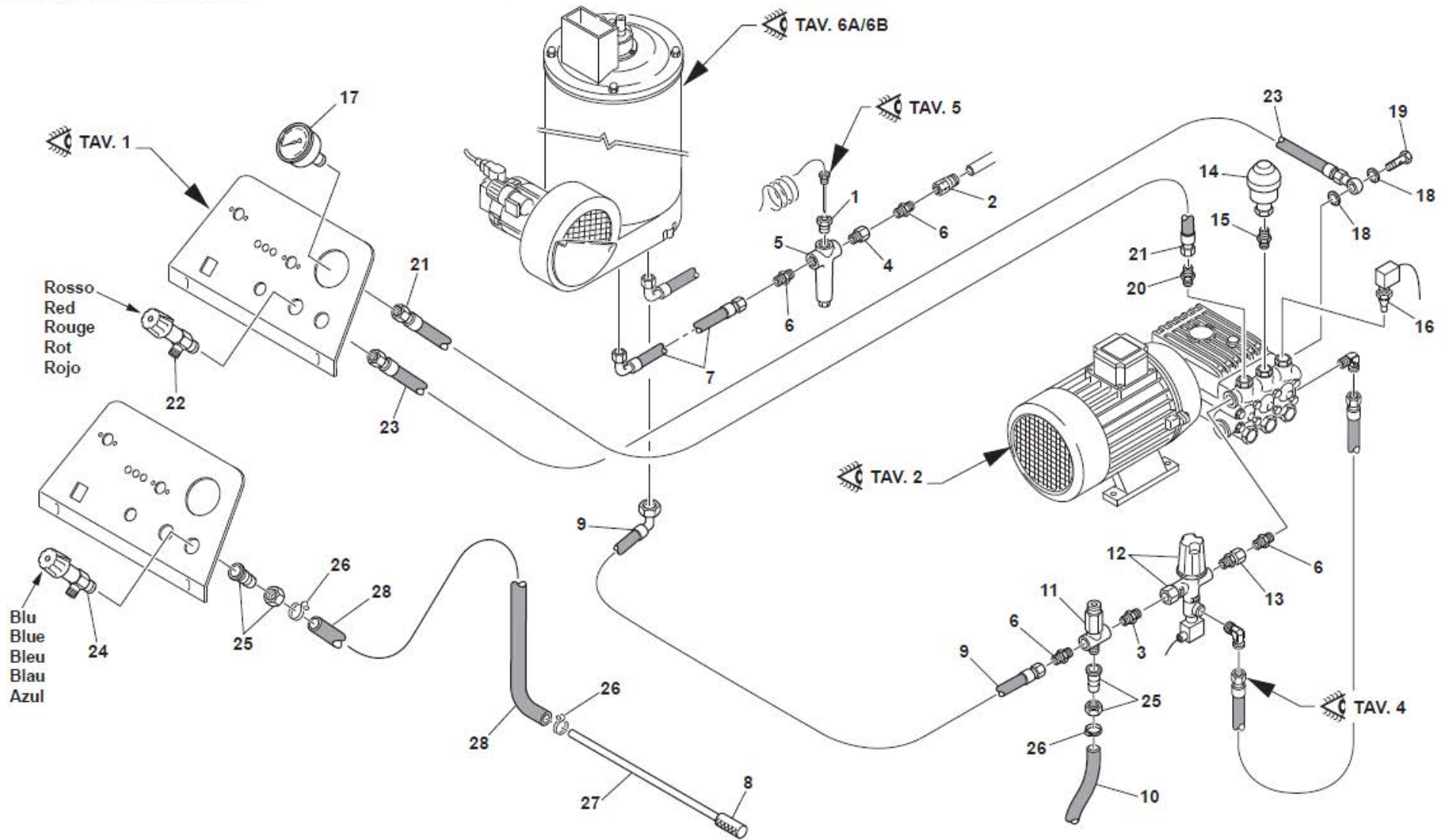
Ref.	PART NUMBER	Q.TY	DENOMINAZIONE	DECRPTION	DÉSCRIPTION	BESCHREIBUNG	DESCRIPCIÓN	VALIDITY
1	MAER20.000.047	4	Vite autofilettante	Self-tapping screw	Vis-taraud	Selbstgewindenschraube	Tornillo autorroscante	
2	MAER10.000.038	1	Piastra posteriore	Rear plate	Plaque arrière	Rückplatte	Placa trasera	
3	MAER10.000.009	1	Serbatoio gasolio 16lt	16 lt fuel tank	Réservoir fioul 16lt	Dieseltank 16lt	Deposito gasolio 16lt	
4	MAER10.000.012	1	Tappo serbatoio gasolio 16lt	Cap for 16lt fuel tank	Bouchon réservoir fioul 16lt	Tankdeckel für 16lt – Tank	Tapón para deposito gasolio 16lt	
3	MAER10.000.473	1	Serbatoio gasolio 31lt	31 lt fuel tank	Réservoir fioul 31lt	Dieseltank 31lt	Deposito gasolio 31lt	
4	MAER10.000.471	1	Tappo serbatoio gasolio 31lt	Cap for 31lt fuel tank	Bouchon réservoir fioul 31lt	Tankdeckel für 31lt – Tank	Tapón para deposito gasolio 31lt	
5	MAER10.000.036	1	Pannello posteriore	Plastic rear panel	Panneau arrière plastique	Rückplatte aus Plastik	Panel trasero plastico	
6A	MAER10.000.040	1	Cofano in plastica	Plastic cover	Capot en plastique	Hauben aus Plastik	Capot plastico	
6B	MAER10.000.073	1	Cofano in acciaio inox	Stainless steel cover	Capot en acier inox	Hauben aus Edelstahl	Capot acero inoxidable	
7	MAER20.000.042	4	Nottolino	Bonnet screw	Vis	Sperrklinke	Trinquete	
8	MAER20.000.047	1	Vite autofilettante	Self-tapping screw	Vis-taraud	Selbstgewindenschraube	Tornillo autorroscante	
9	MAER10.000.041	1	Coperchio scatola elettrica	Electrical panel cover	Couvercle panneau électrique	Deckel	Tapón	
10	MAER10.000.042	1	Pannello elettrico	Electrical panel	Panneau électrique	Vorplatte	Tablero de mandos	
11	MAER10.000.043	1	Vaschetta acqua plastica	Plastic water tank	Bac eau en plastique	Wassertank aus Plastik	Deposito agua plastico	
	MAER10.000.075	1	Vaschetta acqua acciaio inox	Stainless steel water tank	Bac eau en acier inox	Wassertank aus Edelstahl	Deposito agua acero inoxidable	
12	MAER10.000.114	4	Copri ruota	Wheel cap	Couvercle roue	Radkappe	Cubrerueda	
13	MAER10.000.027	4	Seeger	Seeger	Seeger	Scheibe	Arandela	
14	MAER10.000.125	4	Ruota d. 260	Wheel d. 260	Roue d. 260	Rad d. 260	Rueda d. 260	
15	MAER10.000.487	1	Clip supporto asta detergente	Clip	Clip	Klammer	Clip	
16	-	1	Vite	Screw	Vis	Schraube	Tornillo	
17	-	1	Astina supporto pannello elettr.	Electrical panel brake	Tige support panneau élect.	Stange	Varilla	
18	MAER10.000.037	1	Telaio in ferro verniciato	Chassis in painted steel	Chassis en acier peint	Fahrgestell aus lackiertem Stahl	Chasis en acero pintado	
	MAER10.000.055	1	Telaio in acciaio inox	Chassis in stainless steel	Chassis en acier inox	Fahrgestell aus Edelstahl	Chasis en acero inoxidable	
19	MAER10.000.022	1	Guarnizione	Seal	Joint	Dichtung	Guarnición	



Installazione pompa/motore
 Motor/pump installation
 Installation pompe/moteur
 Motor/Pumpen-Installation
 Instalación bomba/motor

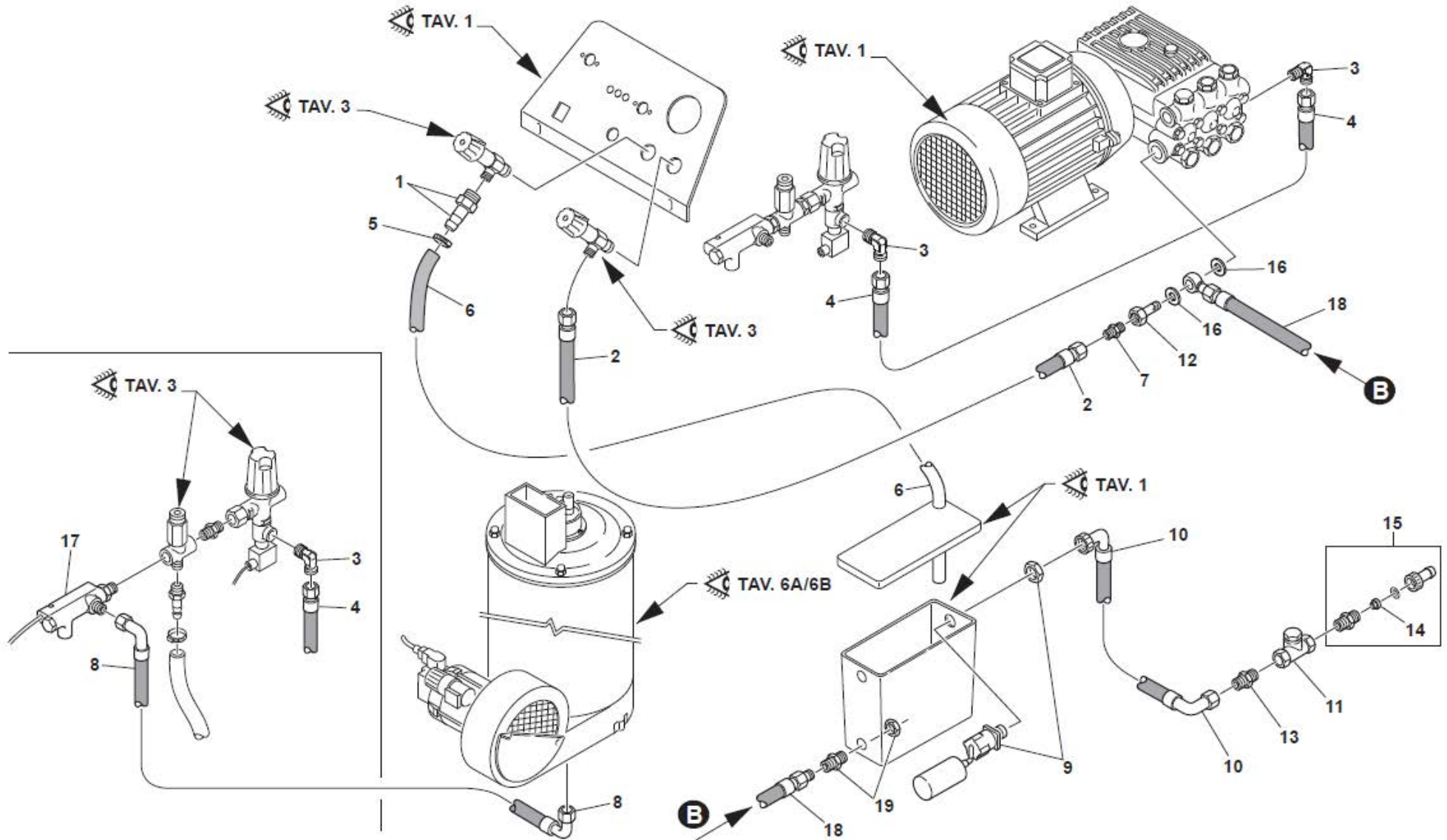
TAV. 2 PUMP & MOTOR

Ref.	PART NUMBER	Q.TY	DENOMINAZIONE	DECRPTION	DÉSCRIPTION	BESCHREIBUNG	DESCRIPCIÓN	VALIDITY
1	MAER60.000.000	1	Motore elettrico 2,2kw 3hp 230v	Electric motor 2,2kw 3hp 230v	Motor électrique 2,2kw 3hp 230v	Elektrischer Motor 2,2kw 3hp 230v	Motor electrico 2,2kw 3hp 230v	
	MAER60.000.005	1	Motore elettrico 4kw 5,5hp M100 230/400V	Electric motor 4kw 5,5hp M100 230/400V	Motor électrique 4kw 5,5hp M100 230/400V	Elektrischer Motor 4kw 5,5hp M100 230/400V	Motor electrico 4kw 5,5hp M100 230/400V	
	MAER60.000.001	1	Motore elettrico 4kw 5,5hp M112 230/400V	Electric motor 4kw 5,5hp M112 230/400V	Motor électrique 4kw 5,5hp M112 230/400V	Elektrischer Motor 4kw 5,5hp M112 230/400V	Motor electrico 4kw 5,5hp M112 230/400V	
	MAER60.000.036	1	Motore elettrico 4kw 5,5hp M112 230/400V con flangia e giunto	Electric motor 4kw 5,5hp M112 230/400V with flange and joint	Motor électrique 4kw 5,5hp M112 230/400V avec bride et accouplement élastique	Elektrischer Motor 4kw 5,5hp M112 230/400V mit Flansch und elastische Kupplung	Motor electrico 4kw 5,5hp M112 230/400V con brida y acomplamiento elastico	
	MAER60.000.002	1	Motore elettrico 5,5kw 7,5hp M112 230/400V	Electric motor 5,5kw 7,5hp M112 230/400V	Motor électrique 5,5kw 7,5hp M112 230/400V	Elektrischer Motor 5,5kw 7,5hp M112 230/400V	Motor electrico 5,5kw 7,5hp M112 230/400V	
	MAER60.000.033	1	Motore elettrico 5,5kw 7,5hp M112 230/400V con flangia e giunto	Electric motor 5,5kw 7,5hp M112 230/400V with flange and joint	Motor électrique 5,5kw 7,5hp M112 230/400V avec bride et accouplement élastique	Elektrischer Motor 5,5kw 7,5hp M112 230/400V mit Flansch und elastische Kupplung	Motor electrico 5,5kw 7,5hp M112 230/400V con brida y acomplamiento elastico	
	MAER60.000.003	1	Motore elettrico 7,5kw 10hp 230/400V M132	Electric motor 7,5kw 10hp 230/400V M132	Motor électrique 7,5kw 10hp 230/400V M132	Elektrischer Motor 7,5kw 10hp 230/400V M132	Motor electrico 7,5kw 10hp 230/400V M132	
	MAER60.000.034	1	Motore elettrico 7,5kw 10hp 230/400V M132 con flangia e giunto	Electric motor 7,5kw 10hp 230/400V M132 with flange and joint	Motor électrique 7,5kw 10hp 230/400V M132 avec bride et accouplement élastique	Elektrischer Motor 7,5kw 10hp 230/400V M132 mit Flansch und elastische Kupplung	Motor electrico 7,5kw 10hp 230/400V M132 con brida y acomplamiento elastico	
2	MAER30.000.026	1	Pompa IPW98 SX	Pump IPW98 SX	Pompe IPW98 SX	Pumpe IPW98 SX	Bompa IPW98 SX	
	MAER30.000.020	1	Pompa IPW140 SX	Pump IPW140 SX	Pompe IPW140 SX	Pumpe IPW140 SX	Bompa IPW140 SX	
	MAER30.000.014	1	Pompa IPWS151 SX	Pump IPWS151 SX	Pompe IPWS151 SX	Pumpe IPWS151 SX	Bompa IPWS151 SX	
	MAER30.000.017	1	Pompa IPWS152 SX	Pump IPWS152 SX	Pompe IPWS152 SX	Pumpe IPWS152 SX	Bompa IPWS152 SX	
	MAER30.000.016	1	Pompa IPWS201 SX	Pump IPWS201 SX	Pompe IPWS201 SX	Pumpe IPWS201 SX	Bompa IPWS201 SX	
	MAER30.000.018	1	Pompa IPWS202 SX	Pump IPWS202 SX	Pompe IPWS202 SX	Pumpe IPWS202 SX	Bompa IPWS202 SX	
	MAER30.000.019	1	Pompa IPWS162 SX	Pump IPWS162 SX	Pompe IPWS162 SX	Pumpe IPWS162 SX	Bompa IPWS162 SX	
3	-	1	Vite	Screw	Vis	Schraube	Tornillo	
4	-	4	Rondella	Washer	Rondelle	Scheibe	Arandela	
5	-	4	Vite	Screw	Vis	Schraube	Tornillo	
6	-	1	Flangia esterna	External flange	Bride externe	Aussenflansch	Brida esterna	
7	-	1	Flangia interna	Internal flange	Bride interne	Innenflansch	Brida interna	
8	MAER30.000.031.NIC	1	Giunto elastico	Elastic coupling	Accouplement élastique	Elastische Kupplung	Acomplamiento elastico	
9	-	4	Vite	Screw	Vis	Schraube	Tornillo	



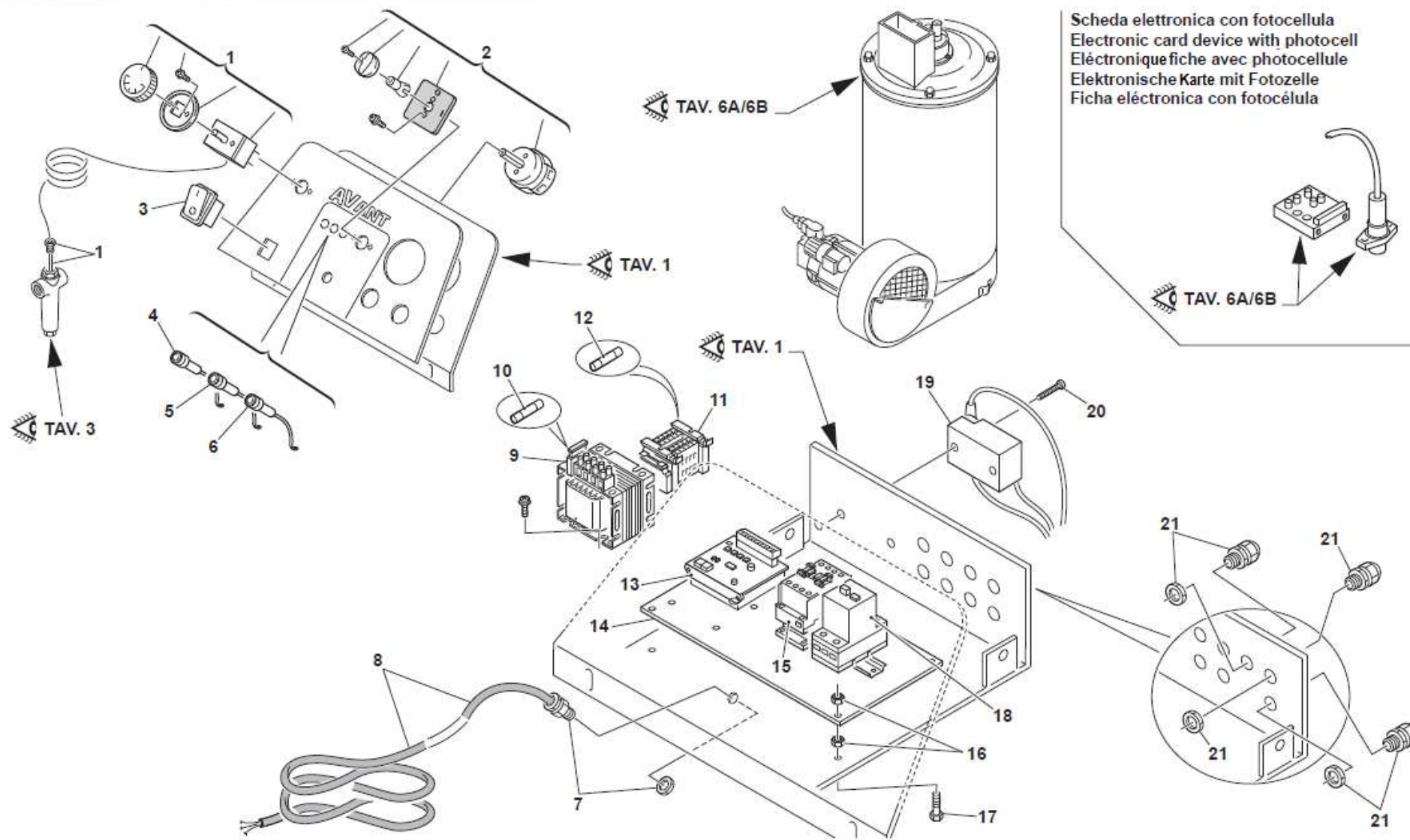
Hippo Hot Water Pressure Cleaner

Ref.	PART NUMBER	Q.TY	DENOMINAZIONE	DESCRIPTION	DÉSCRIPTION	BESCHREIBUNG	DESCRIPCIÓN	VALIDITY
1	MAER20.000.017	1	Raccordo portasonda	Sonde holder coupling	Raccord porte sonde	Sondenhalteranschluss	Empalme portasonda	
2	MAER90.263.131	1	Raccordo M22 3/8F	M22 3/8F coupling	Raccord M22 3/8F	Anschluss M22 3/8F	Empalme M22 3/8F	
3	MAER20.000.013	1	Nipplo 3/8 – 3/8 conico	Cone nipple 3/8 – 3/8	Nipple conique 3/8 – 3/8	Konnippel 3/8 – 3/8	Niplo conico 3/8 – 3/8	
4	MAER20.000.016	1	Prolunga 3/8	3/8 coupling	Raccord 3/8	Anschluss 3/8	Empalme 3/8	
5	MAER40.000.011	1	Pozzetto portasonda	Sonde holder thermostat	Thermostat porte sonde	Sondenhalterthermostat	Termostato portasonda	
6	MAER20.000.010	1	Nipplo 3/8 MM	3/8 MM coupling	Raccord 3/8MM	Anschluss 3/8MM	Empalme 3/8MM	
7	MAER90.000.038	1	Tubo uscita alta pressione	High pressure outlet hose	Tuyau sortie haute pression	Hochdruckausgangsschlauch	Manguera salida alta presion	
8	MAER40.000.008	1	Filtro detergente plastica	Chemical plastic filter	Filtre detergent plastique	Chemiefilter aus Plastik	Filtro detergente plastico	
9	MAER90.000.015	1	Tubo mandata	Delivery pipe	Tuyau refoulement	Vorlaufschlauch	Manguera alimentación	
10	MAER90.000.045	1	Tubo scarico compl. valv. sicur.	Drain hose for safety valve	Tuyau drenage soup. Sécurité	Entwässerungsschlauch für Sicherheitsventil	Manguera drenaje valvula de seguridad	
11	MAER40.000.005	1	Valvola di sicurezza	Safety valve	Soupape sécurité	Sicherheitsventil	Valvula de seguridad	
12	MAER40.000.003	1	Valvola bypass con micro (vers. TST)	Bypass valve with micro (TST version)	Soupape bypass avec micro (version TST)	Bypassventil mit Micro (TST – Version)	Valvula bypass con micro (versión TST)	
	-	1	Valvola bypass senza micro (vers. Bypass)	Bypass valve without micro (bypass version)	Soupape bypass sans micro (version bypass)	Bypassventil ohne Micro (Bypass – Version)	Valvula bypass sin micro (version bypass)	
13	MAER20.000.012	1	Nipplo girevole 3/8 MF	Turning nipple	Nipple tournant	Drehender Nippel	Niplo giratorio	
14	MAER40.000.010	1	Polmone ammortizzatore	Dumper	Amortisseur pnéumohydraulique	Dämpfer	Amortizador pneumohidraulico	
15	MAER20.000.055	1	Nipplo ½ - ¼	½ - ¼ nipple	Nipple ½ - ¼	Nippel ½ - ¼	Niplo ½ - ¼	
16	MAER70.000.005	1	Pressostato	Pressure switch	Pressostat	Druckschalter	Presostato	
17	MAER40.000.019	1	Manometro d. 63	Pressure gauge d. 63	Manomètre d. 63	Manometer D. 63	Manometro	
18	MAER20.000.006	2	Rondella rame	Copper washer	Rondelle cuivre	Kupferscheibe	Arandela de cobra	
19	MAER20.000.007	1	Bullone forato	Bolt with hole	Boulon avec trou	Schraube mit Loch	Tornillo horado	
20	MAER20.000.014	1	Nipplo ¼ - ¼	¼ - ¼ nipple	Nipple ¼ - ¼	Nippel ¼ - ¼	Niplo ¼ - ¼	
21	MAER90.000.062	1	Tubo manometro	Manometer hose	Tuyau manomètre	Manometersschlauch	Manguera manometro	
22	MAER40.000.056	1	Rubinetto vapore	Steam tap	Robinet vapeur	Dampfhahn	Grifo vapor	
23	MAER90.000.002	1	Tubo vapore	Steam hose	Tuyau vapeur	Dampfschlauch	Manguera vapor	
24	MAER40.000.007	1	Rubinetto detergente	Chemical tap	Robinet detergent	Chemienhahn	Grifo detergente	
25		1	Raccordo completo	Complete coupling	Raccord complet	Kompletter Anschluss	Empalme completo	
26	MAER20.000.151	1	Fascetta 2 orecchie	Clamp	Collier	Schelle	Banda	
27	MAER90.000.011	1	Astina inox	Stainless steel bar	Tige	Stange	Varilla	
28		1	Tubo	Pipe	Tuyau	Schlauch	Manguera	



Hippo Hot Water Pressure Cleaner

Ref.	PART NUMBER	Q.TY	DENOMINAZIONE	DECRPTION	DÉSCRIPTION	BESCHREIBUNG	DESCRIPCIÓN	VALIDITY
1	MAER20.000.151 + MAER20.000.051	1	Raccordo completo	Complete coupling	Raccord complet	Kompletter Anschluss	Empalme completo	
2	MAER90.000.053	1	Tubo detergente	Chemical pipe	Tuyau detergent	Chemischschlauch	Manguera detergente	
3	MAER20.000.011	1	Curva ottone 3/8MM	Brass fitting 3/8MM	Raccord laiton 3/8MM	Anschluss aus Messing 3/8MM	Empalme de latón 3/8MM	
4	MAER90.000.006	1	Tubo bypass	Bypass pipe	Tuyau bypass	Bypassschlauch	Manguera bypass	
5	MAER90.000.011	1	Fascetta stringitubo 2 orecchie	Clamp	Collier	Scheibe	Arandera	
6	MAER90.000.034	1	Tubo scarico vapore	Steam discharge pipe	Tuyau decharge vapeur	Dampfabflussschlauch	Manguera scarico vapor	
7	MAER20.000.014	1	Nipplo ¼	Nipple ¼	Nipple ¼	Nippel ¼	Niplo ¼	
8	MAER90.000.022	1	Tubo 3/8 flussostato	Flowswitch pipe 3/8	Tuyau 3/8 flussostat	Strömungswachtersschlauch 3/8	Manguera flusostato 3/8	
9	MAER40.000.001	1	Galleggiante acqua	Water floater	Flotteur eau	Wasserschwimmer	Flotador agua	
10	MAER90.000.041	1	Tubo alimentazione acqua	Water supply pipe	Tuyau alimentation eau	Wassereingangsschlauch	Manguera alimentacion agua	
11	MAER40.000.000	1	Filtro acqua ottone	Brass water filter	Filtre laiton eau	Wasserfilter aus Messing	Filtro agua de latón	
12	MAER20.000.052	1	Bullone cavo + filetto	Bolt with hollow and thread	Boulon avec trou et filet	Schraube mit Loch und Gewinde	Tornillo horado con rosca	
13	MAER20.000.004	1	Nipplo ½	Nipple ½	Nipple ½	Nippel ½	Niplo ½	
14	MAER40.000.012	1	Filtro plastica	Plastic filter	Filtre plastique	Plastikfilter	Filtro plastico	
15	MAER20.000.000	1	Attacco acqua completo	Complete water coupling	Raccord eau complet	Kompletter Wasseranschluss	Empalme agua completo	
16	MAER20.001.003	2	Rondella rame ½	Copper washer ½	Rondelle cuivre ½	Kupferscheibe ½	Arandela de cobre	
17	MAER40.000.006	1	Flussostato	Flowswitch	Flussostat	Strömungswächter	Flusostato	
18	MAER90.000.151 MAER90.000.042	1	Tubo aspirazione acqua (21lt) Tubo aspirazione acqua (15lt)	Water suction pipe (21lt) Water suction pipe (15lt)	Tuyau aspiration eau (21lt) Tuyau aspiration eau (15lt)	Wassersaugungsschlauch (21lt) Wassersaugungsschlauch (15lt)	Tubo aspiración agua (21lt) Tubo aspiración agua (15lt)	
19	MAER20.000.001 MAER20.000.004 + MAER20.000.064	1	Nipplo ¾ vaschetta (21lt) Nipplo ½ vaschetta (15lt) + Occhio 1/2 (15lt)	Nipple ¾ water tank (21lt) Nipple ½ water tank (15lt) + eye ½ (15lt)	Nipple ¾ bac eau (21lt) Nipple ½ bac eau (15lt) + Œuil ½ (15lt)	Nippel ¾ Wassertank (21lt) Nippel ½ Wassertank (15lt) + Auge ½ (15lt)	Niplo ¾ deposito agua (21lt) Niplo ½ deposito agua (15lt) + Ojo (15lt)	



TAV. 5 ELECTRICAL PANEL

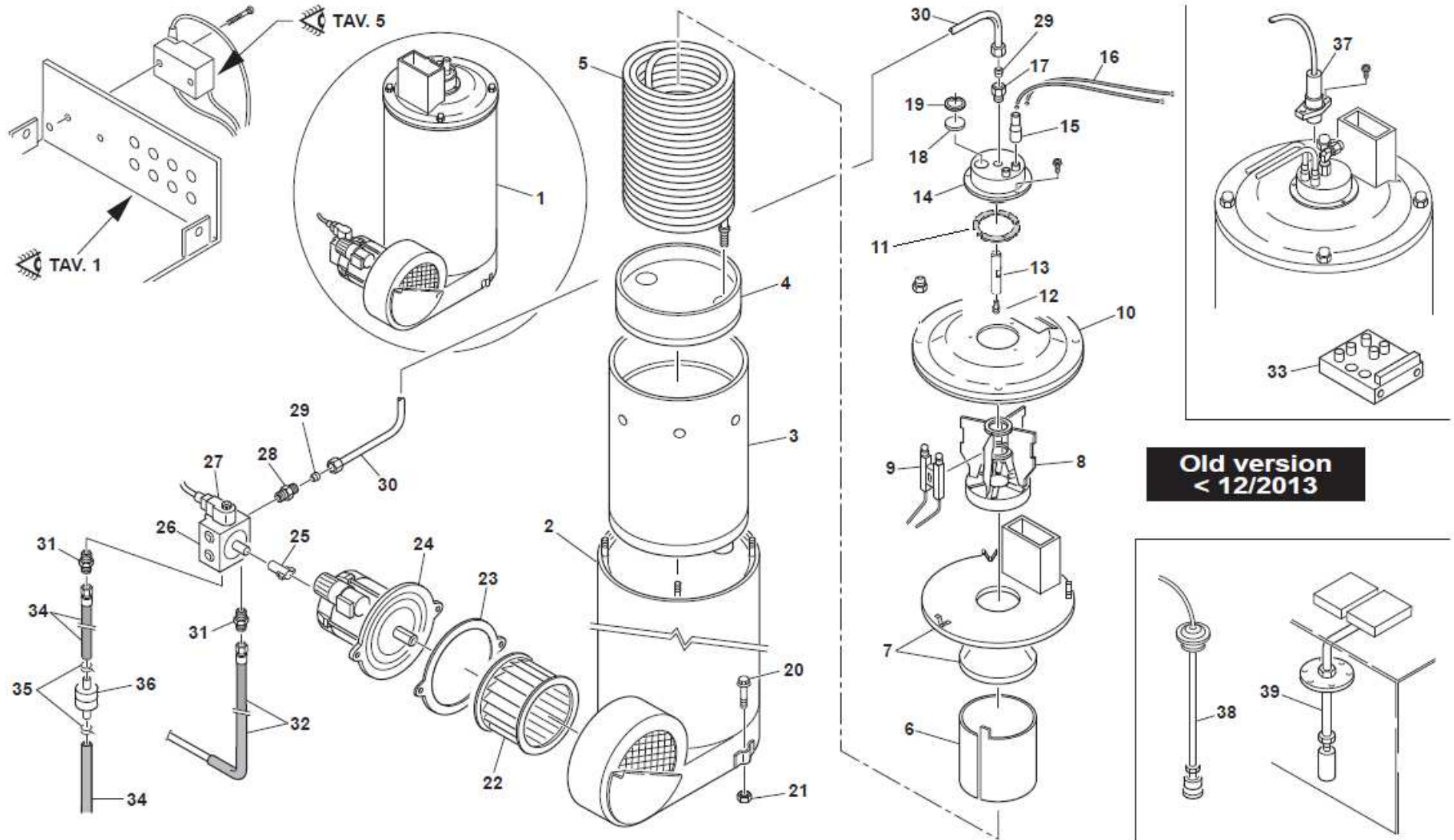
Ref.	PART NUMBER	Q.TY	DENOMINAZIONE	DECRPTION	DÉSCRIPTION	BESCHREIBUNG	DESCRIPCIÓN	VALIDITY
1	MAER70.000.014	1	Termostato senza interruttore	Thermostat without switch	Thérmostat sans interrupteur	Thermostat ohne Schalter	Termostato sin interruptor	
2	MAER70.000.045	1	Interruttore generale	General switch	Interrupteur général	Allgemeiner Schalter	Interruptor general	
3	MAER70.000.015	1	Interruttore bruciatore	Burner switch	Interrupteur brûleur	Brennschalter	Interruptor quemador	
4	MAER70.000.016	1	Lampadina verde	Green lamp	Voyant vert	Grüne Lampe	Lamparilla verde	
5	MAER70.000.116	1	Lampadina arancio	Orange lamp	Voyant orange	Orange Lampe	Lamparilla naranja	
6	MAER70.000.216	1	Lampadina rossa	Red lamp	Voyant rouge	Rote Lampe	Lamparilla roja	
7	MAER70.000.001	1	Passcavo PG16 a trombetta	PG16 cable ring	Passe-câcle PG16	Kabeldurchführung PG16	Pasacable PG16	
8	MAER70.000.121	1	Cavo neoprene trifase	Three phase cable	Câble triphasé	Netzanschlusskabel dreiphasig	Cable trifasico	
9	MAER70.000.010	1	Trasformatore 24v	24v transformer	Transformateur 24V	Trafo 24v	Trasformador 24V	
10	MAER70.000.260	1	Fusibile per trasformatore	Fuse for transformer	Fusible pour transformateur	Schmelzsicherung für Trafo	Fusible para trasformador	
11	MAER70.000.024	1	Morsettiera portafusibili	Fuses holder	Tableau des fusibles	Schmelzsicherungsschalter	Portafusible	
12	MAER70.000.060	1	Fusibile per morsettiera	Fuse for fuses holder	Fusibles pour tableau des fusibles	Schmelzsicherung für Schmelzsicherungsschalter	Fusible para portafusible	
13	MAER70.000.114	1	Scheda elettronica per fotocel.	Electronic board for photocell	Fiche électronique pour photoc.	Elektronische Karte für Fotozelle	Ficha electronica para fotocelula	
	MAER70.000.011	1	Scheda elettronica senza fotoc.	Electronic board no photocell	Fiche électronique sans photoc.	Elektronische Karte ohne Fotoz.	Ficha electronica sin fotocelula	
14	MAER70.000.006	1	Piastra plastica PVC	PCV plastic panel	Plaque en plastique PVC	Platte aus Plastik	Placa plastica	
15	MAER70.000.209	1	Teleruttore 5,5kw (monofase, 160/15, 150/21, 200/15)	Contactore 5,5kw (single phase, 160/15, 150/21, 200/15)	Contacteur 5,5kw (monofasé, 160/15, 150/21, 200/15)	Kontaktor 5,5kw (einphasig, 160/15, 150/21, 200/15)	Contactore 5,5kw (monofasico, 160/15, 150/21, 200/15)	
	MAER70.000.109	1	Teleruttore 7,5kw (200/21)	Contactore 7,5kw (200/21)	Contacteur 7,5kw (200/21)	Kontaktor 7,5kw (200/21)	Contactore 7,5kw (200/21)	
16	MAER20.000.031	2	Dado	Nut	Écrou	Mutter	Tuerca	
17	MAER20.000.048	4	Vite	Screw	Vis	Schraube	Tornillo	
18	MAER70.000.008	1	Interrut. magnetotermico 16A	Magnetothermic switch 16A	Interr. magnétothérmiq 16A	Magnetotherm. Schalter 16A	Interr. magnetotermico 16A	
	MAER70.000.108	1	Interrut. magnetotermico 20A	Magnetothermic switch 20A	Interr. magnétothérmiq 20A	Magnetotherm. Schalter 20A	Interr. magnetotermico 20A	
	MAER70.000.208	1	Interrut. magnetotermico 25A	Magnetothermic switch 25A	Interr. magnétothérmiq 25A	Magnetotherm. Schalter 25A	Interr. magnetotermico 25A	
19	MAER70.000.163	1	Trasformatore AT elettronico	HT electronic transformer	Transformateur HT électronique	HT elektronischer Trafo	Trasformador AT electronico	
20	MAER20.000.600	2	Vite autofilettante 3,0x4,5	Self-tapping screw 3,0x4,5	Vis taraud	Schraube	Tornillo	
21	MAER70.000.003	8	Passacavo PG7	PG7 cable ring	Passe-câcle PG7	Kabeldurchführung PG7	Pasacable PG7	

TAV. 6A BOILER OLD VERSION (180mm Internal Diameter)

KERRICK

TAV. 6A (1/2)

AVANT
AVANT X



Hippo Hot Water Pressure Cleaner (Old Version)

Ref.	PART NUMBER	Q.TY	DENOMINAZIONE	DECRPTION	DÉSCRIPTION	BESCHREIBUNG	DESCRIPCIÓN	VALIDITY
1	MAER50.000.301	1	Caldaia completa	Complete boiler	Chaudière complète	Kompletter Kessel	Caldera completa	
2	MAER50.001.033	1	Corpo caldaia con coclea inox	Boiler body w/ s.s. fan housing	Corp chaudière	Kesselkörper	Cuerpo caldera	
3	MAER50.000.003	1	Camicia interna	Boiler liner	Chemis chaudière	Innenmantel	Camisa caldera	
4	MAER50.000.085	1	Fondo inox con cemento	S.S. bottom w/ cement	Fond refractaire avec béton	Kesselboden mit Zement	Base acero inoxid. c/ cemento	
5	MAER50.000.006	1	Serpentina	Coil	Serpentin	Heizschlange	Serpentino	
6	MAER50.000.008	1	Fascia alta	Band	Bande	Band	Faja	
7	MAER50.000.032	1	Testata c/ camino e campana	Complete head w/ chimney	Covercle complet avec cheminée	Kompletter Deckel	Tapón completo	
8	MAER50.000.010	1	Deflettore	Deflector	Deflecteur	Deflektor	Deflector	
9	MAER50.000.011	1	Elettrodi bifilari	Electrode	Electrode	Doppelelektrode	Electrodo	
10	MAER50.000.012	1	Testata superiore inox	S.S. upper cover	Tête superieure en acier inox	Oberdeckel aus Edelstahl	Capo superior de acero inoxid.	
11	MAER50.000.015	1	Guarnizione deflettore	Deflector joint	Joint deflecteur	Deflektorendichtung	Guarnición deflector	
12	MAER50.000.013	1	Ugello gasolio	Fuel nozzle	Buse fioul	Dieseldüse	Boquilla gasolio	
13	MAER50.000.014	1	Portaugello gasolio	Fuel nozzle holder	Porte buse fioul	Dieseldüsenhalter	Porta boquilla gasolio	
14	MAER50.000.016	1	Disco alluminio	Aluminum disc	Disque	Scheibe	Disco	
15	MAER50.000.025	2	Gommino protezione elettrodi	Rubber electrode protection	Joint protection electrodes	Gummidichtung zum Elektrodensprotektion	Protección electrodo	
16	MAER70.000.018	2	Cavi alta tensione	HT cables	Cable haute tension	Hochspannungskabeln	Cables alta tensión	
17	MAER20.000.024	1	Prolunga	Extension	Rallonge	Erweiterungsanschluss	Alargadera	
18	MAER50.000.017	1	Vetro	Glass	Verre	Glas	Vidrio	
19	MAER50.000.018	1	Seeger	Seeger	Seeger	Seeger	Anillo	
20	-	3	Vite	Screw	Vis	Schraube	Tornillo	
21	MAER20.000.022	3	Dado	Nut	Écrou	Mutter	Tuerca	
22	MAER50.000.020	1	Ventola	Fan	Ventilateur	Lüftung	Rotor	
23	MAER50.000.172.1	1	Guarnizione bruciatore	Burner gasket	Joint brûleur	Dichtung	Guarnición quemador	
24	MAER50.000.221	1	Motore bruciatore	Burner motor	Moteur brûleur	Brennmotor	Quemador	
25	MAER50.000.022	1	Giunto pompa gasolio	Fuel pump joint	Joint pompe fioul	Ölpumpenkupplung	Junta bomba gasoil	
26	MAER50.000.029	1	Pompa gasolio	Fuel pump	Pompe fioul	Ölpumpe	Bomba gasoil	
27	MAER50.000.024	1	Elettrovalvola gasolio 24V	24V fuel solenoid valve	Électrovanne 24V	Dieselelektroventil 24V	Electrovalvula gasoil 24V	
28		1	Raccordo 1/8	1/8 Coupling	Raccord 1/8	Anschluss 1/8	Empalme 1/8	
29	MAER90.000.048.1	1	Ogiva	Ogive	Ogive	Spitz	Ojiva	
30		1	Tubo gasolio completo in rame	Complete fuel copper pipe inlet	Tuyau fioul complet en cuivre	Kompletter Kupferdieselschlauch	Manguera gasoil compl. de cobre	
31	MAER20.000.014	2	Nipplo ¼ MM	Nipple ¼ MM	Nipple ¼ MM	Nippel ¼ MM	Niple	
32	MAER90.000.157	1	Tubo ritorno gasolio	Fuel return pipe	Tuyau retour fioul	Ölrücklaufschlauch	Manguera retorno gasoil	
33	MAER70.000.114	1	Scheda elettr. per fotocellula	Elec. board for photocell	Carte élect. pour photocellule	Elek. Karte für Fotozelle	Ficha electr. para fotocelula	
34	MAER90.000.156	1	Tubo aspirazione gasolio	Fuel suction pipe	Tuyau aspiration fioul	Ölsaugunngsschlauch	Manguera aspir. Gasoil	
35	MAER90.000.011	2	Fascetta stringitubo	Clamp	Collier	Schelle	Abrazadera	
36	MAER50.000.019	1	Filtro gasolio plastica	Fuel filter	Filtre fioul	Dieselfilter	Filtro gasoil	
37	MAER70.000.115	1	Fotocellula	Photocell	Photocellule	Fotozelle	Fotocelula	

Ref.	PART NUMBER	Q.TY	DENOMINAZIONE	DECIPTION	DÉSCRIPTION	BESCHREIBUNG	DESCRIPCIÓN	VALIDITY
38	MAER70.000.322	1	Gall. gasolio serb. 30lt	30lt fuel tank floater	Flott. fioul rés. 30lt	Dieselschwimmer- Tank 30lt	Flotad. gas. depos. 30lt	
39	MAER70.000.022.1	1	Gall. gas. serb. 16lt nuova vers.	16lt fuel tank floater new vers.	Flott. fioul rés. 16lt nouv. vers.	neuer Dieselschwim. Tank 16lt	Flot. gas. depos. 16lt nuev. vers.	
	MAER70.000.022	1	Gall. gas. Serb. 16lt vecchia vers.	16lt fuel tank floater old vers.	Flott. fioul rés. 16lt viel. vers.	alter Dieselschwim. Tank 16lt	Flot. gas. depos. 16lt vie. vers.	

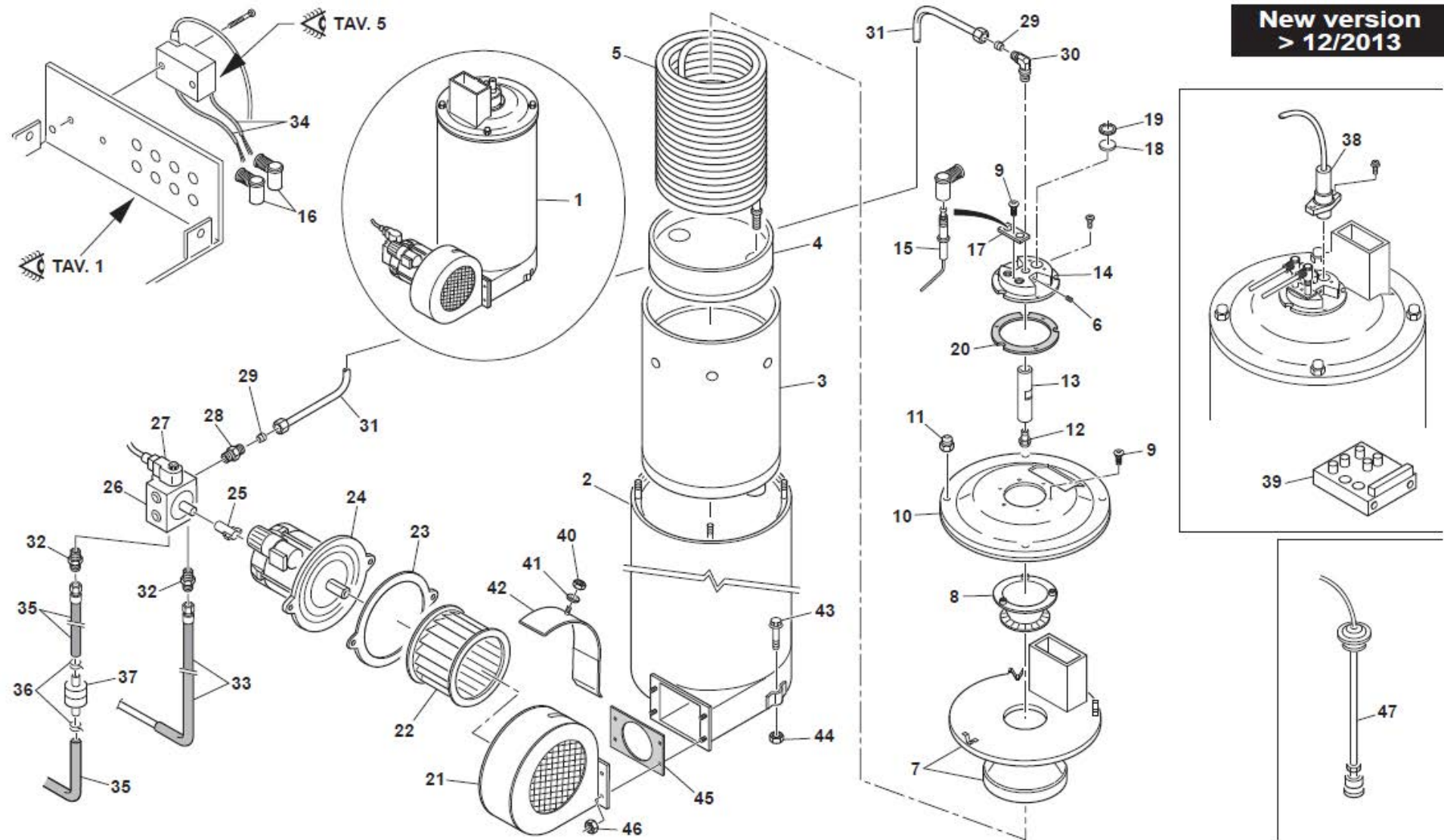
TAV. 6B BOILER NEW VERSION (200mm Internal Diameter)



TAV. 6B (1/2)

AVANT
AVANT X

New version
> 12/2013



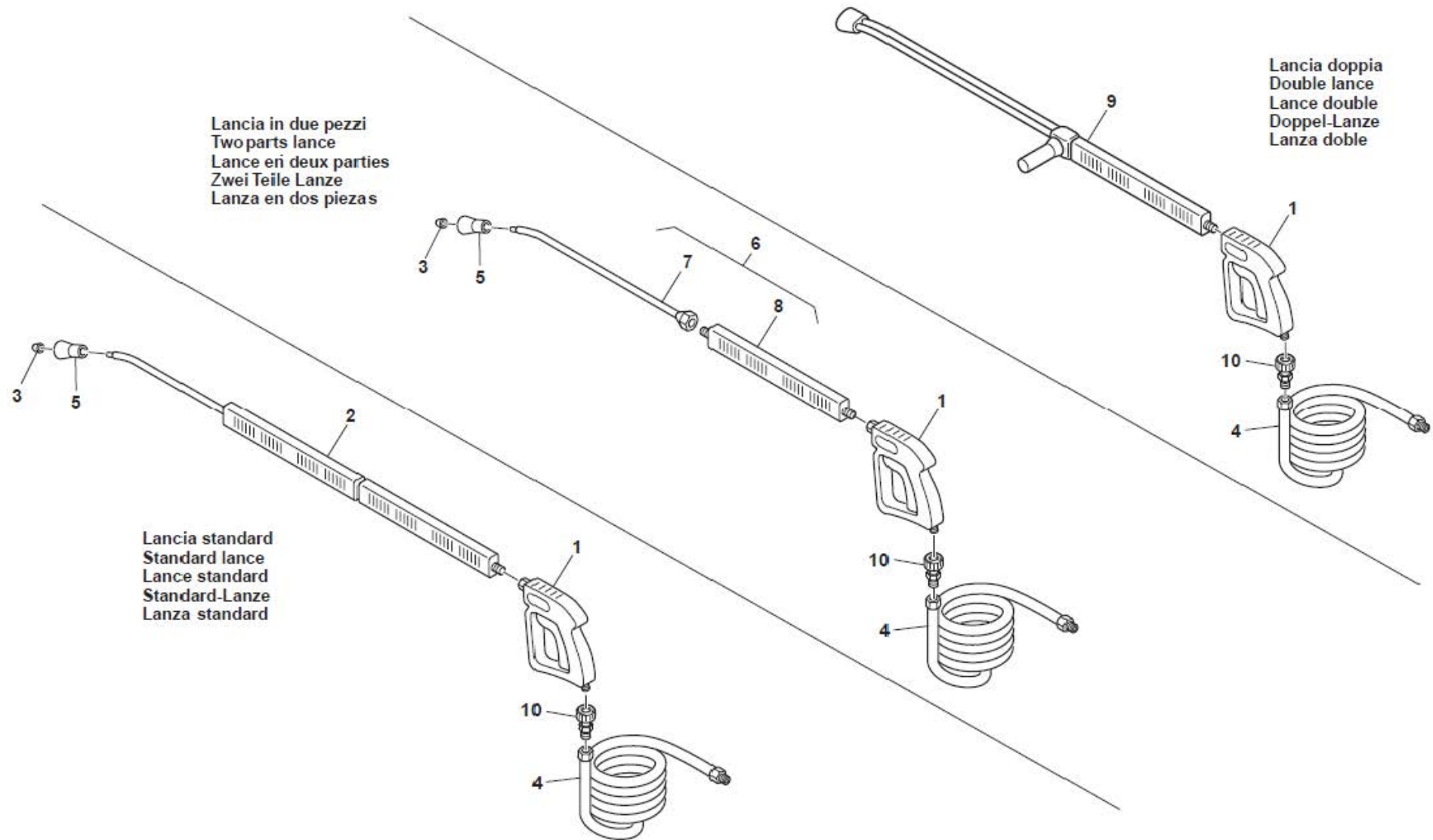
Hippo Hot Water Pressure Cleaner (New Version)

Ref.	PART NUMBER	Q.TY	DENOMINAZIONE	DECRPTION	DÉSCRIPTION	BESCHREIBUNG	DESCRIPCIÓN	VALIDITY
1	MAER50.001.002	1	Caldaia completa	Complete boiler	Chaudière complète	Kompletter Kessel	Caldera completa	
2	MAER50.000.002	1	Corpo caldaia con coclea inox	Boiler body w/ s.s. fan housing	Corp chaudière	Kesselkörper	Cuerpo caldera	
3	MAER50.000.003	1	Camicia interna	Boiler liner	Chemis chaudière	Innenmantel	Camisa caldera	
4	MAER50.000.118	1	Fondo inox con cemento	S.S. bottom w/ cement	Fond inox avec béton réfrac.	Kesselboden mit Zement	Base acero inoxid. c/ cemento	
5	MAER50.000.006.1	1	Serpentina	Coil	Serpentin	Heizschlange	Serpentino	
6		1	Grano	Dowel	Grain	Stift	Faja	
7	MAER50.000.032.1	1	Testata c/ camino e campana	Complete head w/ chimney	Tête complète avec cheminée	Kompletter Deckel	Tapón completo	
8	MAER50.000.069.1	1	Deflettore	Deflector	Deflecteur	Deflektor	Deflector	
9		6	Vite	Screw	Vis	Schraube	Electrodo	
10	MAER50.000.012.1	1	Coperchio sagomato inox	S.S. shaped cover	Couvercle profilé acier inox	Oberdeckel aus Edelstahl	Capo superior de acero inoxid.	
11	MAER20.000.025	4	Dado cieco	Nut	Écrou	Mutter	Guarnición deflector	
12	MAER50.000.013	1	Ugello gasolio	Fuel nozzle	Buse fioul	Dieseldüse	Boquilla gasolio	
13	MAER50.000.115	1	Portaugello gasolio	Fuel nozzle holder	Porte buse fioul	Dieseldüsenhalter	Porta boquilla gasolio	
14	MAER50.000.016.1	1	Disco alluminio portaugello	Electrode holder alum. disc	Disque	Elektrodenhaltungsplatte	Disco	
15	MAER50.000.211	2	Elettrodo	Electrode	Électrode	Elektroden	Protección electrodo	
16	MAER50.000.116	2	Connettore BP pipette blu	Connector	Connecteur	Anschluss	Cables alta tensión	
17	MAER10.001.007	1	Piastrina fissaggio elettrodi	Electrode fixing plate	Plaquette fixage électrode	Erweiterungsanschluss	Alargadera	
18	MAER50.000.017	1	Vetrino	Glass	Verre	Glas	Vidrio	
19	MAER50.000.018	1	Seeger	Seeger	Seeger	Seeger	Anillo	
20	MAER50.000.015	1	Guarnizione	Gasket	Joint	Dichtung	Tornillo	
21	MAER50.000.251	1	Coclea inox	S.S. ventilation	Ventilation acier inox	Lüftung aus Edelstahl	Tuerca	
22	MAER50.000.109	1	Ventola	Fan	Ventilateur	Lüferrad	Rotor	
23	MAER50.000.172	1	Guarnizione	Gasket	Joint	Dichtung	Guarnición quemador	
24	MAER50.000.021	1	Motore N2	Burner motor N2	Moteur brûleur	Brennmotor	Quegador	
25	MAER50.000.022	1	Giunto pompa gasolio	Fuel pump joint	Joint pompe fioul	Ölpumpenkupplung	Junta bomba gasoil	
26	MAER50.000.029	1	Pompa gasolio	Fuel pump	Pompe fioul	Ölpumpe	Bomba gasoil	
27	MAER50.000.024	1	Elettrovalvola gasolio 24V	24V fuel solenoid valve	Électrovanne 24V	Dieselelektroventil 24V	Electrovalvula gasoil 24V	
28		1	Raccordo 1/8	1/8 Coupling	Raccord 1/8	Anschluss 1/8	Empalme 1/8	
29		1	Ogiva	Ogive	Ogive	Spitz	Ojiva	
30	MAER20.000.019	1	Raccordo 90°	90° fitting	Raccord 90°C	90° Anschluss	Manguera gasoil compl. de cobre	
31		1	Tubo mandata gasolio	Inlet fuel pipe	Tupay fioul complète cuivre	Kompl. Kupferdieselschlauch	Niple	
32	MAER20.000.014	2	Nipplo	Nipple	Nipple	Nippel	Niplo	
33	MAER90.000.047	1	Tubo ritorno gasolio	Outlet fuel pipe	Tuyau retour fioul	Elek. Karte für Fotozelle	Ficha electr. para fotocelula	
34	MAER70.000.018.1	2	Cavetti AT	HT cables	Cables haute tension	Hochspannungskabeln	Cables alta tension	
35	MAER90.000.046	1	Tubo aspirazione gasolio	Fuel suction pipe	Tuyau aspiration fioul	Dieselsaugungsschlauch	Manguera aspiracion gasoil	
36	MAER90.000.011	2	Fascetta stringitubo	Clamp	Collier	Schelle	Abrazadera	
37	MAER50.000.019	1	Filtro gasolio	Fuel filter	Filtre fioul	Dieselfilter	Filtro gasoil	
38	MAER70.000.015	1	Fotocellula	Photocell	Fotocellule	Fotozelle	Fotocelula	

**TAV. 6B BOILER NEW VERSION (200mm Internal Diameter)**

Ref.	PART NUMBER	Q.TY	DENOMINAZIONE	DECRPTION	DÉSCRIPTION	BESCHREIBUNG	DESCRIPCIÓN	VALIDITY
39	MAER70.000.114	1	Scheda elettronica (per fotoc.)	Electronic board (for photoc.)	Carte électr. pour photocellule	Elektr. Karte für Fotozelle	Ficha elect. para fotocel.	
40		1	Dado	Nut	Écrou	Mutter	Tuerca	
41		1	Rondella	Washer	Rondelle	Scheibe	Arandela	
42		1	-	-	-	-	-	
43		3	Vite	Screw	Vis	Schraube	Tornillo	
44		3	Dado	Nut	Écrou	Mutter	Tuerca	
45	MAER50.000.072	1	Guarnizione	Gasket	Joint	Dichtung	Guarnición	
46		4	Dado	Nut	Écrou	Mutter	Tuerca	
47	MAER70.000.322	1	Galleggiante gasolio	Fuel floater	Flotteur fioul	Dieselschwimmer	Flotador gasoil	

Hippo Hot Water Pressure Cleaner (New Version)



Lancia in due pezzi
Two parts lance
Lance en deux parties
Zwei Teile Lanze
Lanza en dos piezas

Lancia standard
Standard lance
Lance standard
Standard-Lanze
Lanza standard

Lancia doppia
Double lance
Lance double
Doppel-Lanze
Lanza doble

Ref.	PART NUMBER	Q.TY	DENOMINAZIONE	DECRPTION	DÉSCRIPTION	BESCHREIBUNG	DESCRIPCIÓN	VALIDITY
1	E30.2030.00	1	Pistola	VEGA SPRAY GUN WITH SWIVEL	Pistolet	Pistole	Pistola	
2	E40.0755.00	1	Lancia 70 cm	S3 LANCE 700MM INSULATED	Lance 70 cm	Lanze 70 cm	Lanza 70 cm	
	E40.0955.00	1	Lancia 90 cm	S3 LANCE 900MM INSULATED	Lance 90 cm	Lanze 90 cm	Lanza 90 cm	
	E40.1255.00	1	Lancia 120 cm	S3 LANCE 1200MM INSULATED	Lance 120 cm	Lanze 120 cm	Lanza 120 cm	
	E40.0535.00	1	Lancia 50 cm	S3 LANCE 500MM INSULATED	Lance 50 cm	Lanze 50 cm	Lanza 50 cm	
	E40.1755.00	1	Lancia 170 cm	S3 LANCE 1700MM INSULATED	Lance 170 cm	Lanze 170 cm	Lanza 170 cm	
	MAER80.000.012	1	Lancia acciaio inox 70 cm	Lance stainless steel 70 cm	Lance acier inox 70 cm	Lanze aus Edeltstahl 70 cm	Lanza acero inoxidable 70 cm	
	MAER80.000.011	1	Lancia acciaio inox 90 cm	Lance stainless steel 90 cm	Lance acier inox 90 cm	Lanze aus Edeltstahl 90 cm	Lanza acero inoxidable 90 cm	
	MAER80.000.013	1	Lancia acciaio inox 120 cm	Lance stainless steel 120 cm	Lance acier inox 120 cm	Lanze aus Edeltstahl 120 cm	Lanza acero inoxidable 120 cm	
3	NOZ WJ1/4 15 045	1	Ugello acqua	NOZZLE WASHJET SS 1/4 15/045	Buse eau	Wasserdüse	Boquilla agua	
4	H HD88MF10	1	Tubo alta pressione	HOSE ASSY R2 3/8 10M	Flexible haute pression	Hochdruckschlauch	Manguera alta presión	
5	E40.0008.84	1	Protezione	NOZZLE PROTECTOR SINGLE LANCE	Protection	Schutz	Protección	
6	MAER80.000.010	1	Lancia in due pezzi	Lance in two pieces	Lance en deux parties	Lanze in zwei Teile	Lanza en dos piezas	
7	MAER80.000.104	1	Terminale lancia	Lance end	Terminale lance	Lanzenende	Terminal lanza	
8	MAER80.000.029	1	Manico isolante	Insulating handle	Poignée isolante	Isolierender Handgriff	Mango isolante	
9	E41.0919.00	1	Lancia doppia	500MM DOUBLE LANCE	Lance double	Doppellanze	Lanza doble	
10	-	1	Raccordo	Coupling	Raccord	Anschluss	Empalme	

TECHNICAL SPECIFICATIONS FOR COILS

Machine	RHINO	HIPPO		JUMBO	
		Previous	Current H.E.	Previous	Current H.E.
In use					
Part number	MAER50.000.040	MAER50.000.043	MAER50.000.006.1	MAER50.000.044	MAER50.000.044.2
Manufacturing process	Round black pipe TNT182, electrowelded, redrawn at diameter 16,90 mm	Round black pipe TNT182, electrowelded, redrawn at diameter 16,90 mm	Round black pipe TNT182, electrowelded, redrawn at diameter 17,20 mm	Round black pipe TNT182, electrowelded, redrawn at diameter 16,90 mm	Round black pipe TNT182, electrowelded, redrawn at diameter 17,20 mm
Diameter	16,90 mm	16,90 mm	17,20 mm	16,90 mm	17,20 mm
Width	2,35 mm	2,50 mm	2,35 mm	2,35 mm	2,35 mm
Length	18,00 mt	30,00 mt	30,50 mt	34,00 mt	35,00 mt
Composition in %:					
L=	0,11600%	11,40000%	0,11600%	0,11600%	0,11600%
Mn=	0,50900%	0,53500%	0,48800%	0,50900%	0,48800%
Si=	0,90000%	0,10000%	0,01000%	0,90000%	0,01000%
P=	0,01210%	0,02500%	0,00990%	0,01210%	0,00990%
S=	0,00750%	0,01700%	0,00680%	0,00750%	0,00680%
Al=	0,03100%	0,04900%	0,03800%	0,03100%	0,03800%
Cr=	0,02500%	0,00600%	0,04700%	0,02500%	0,04700%
Mo=	0,00130%	0,00330%	0,00580%	0,00130%	0,00580%
Ni=	0,01300%	0,00600%	0,03300%	0,01300%	0,03300%
Cu=	0,01500%	0,00200%	0,03500%	0,01500%	0,03500%
Ec.1=	0,05000%	0,01000%	0,08000%	0,05000%	0,08000%
Coil tested until	380/400 bar	380/400 bar	380/400 bar	380/400 bar	380/400 bar
Weldings	Yes	Yes	Yes	Yes	Yes